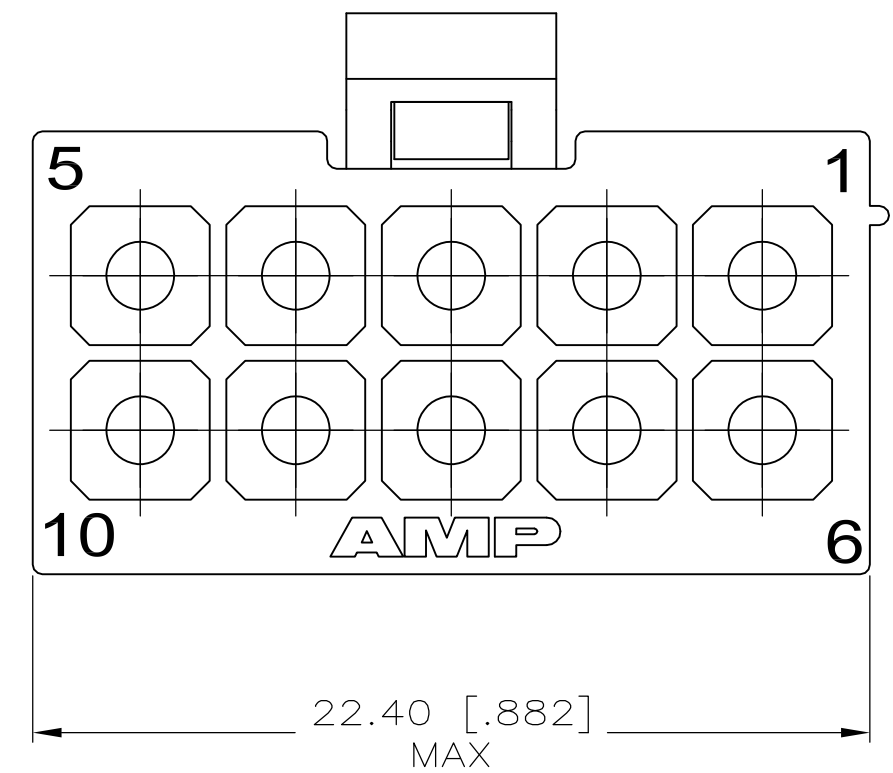
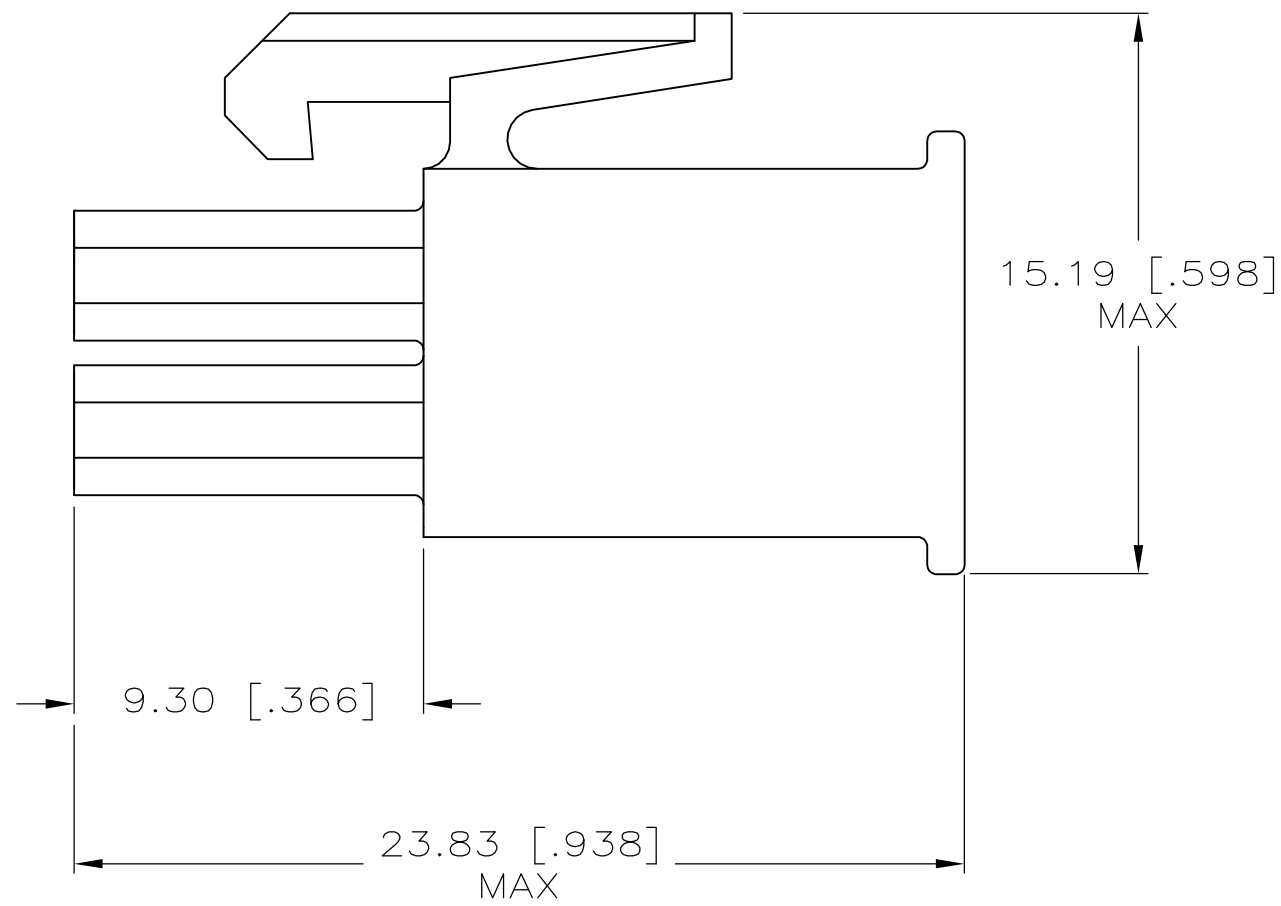
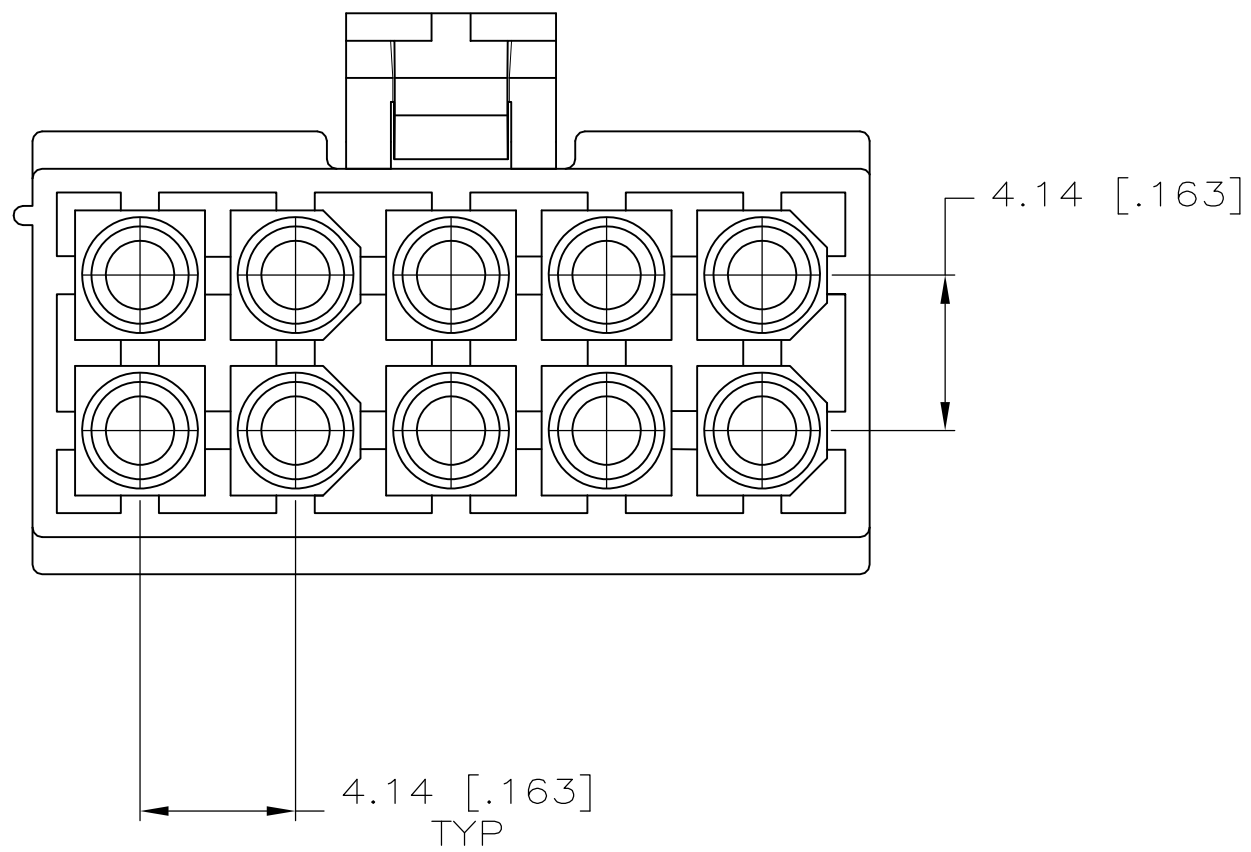


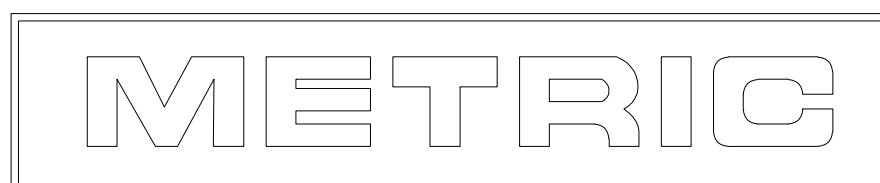
THIS DRAWING IS UNPUBLISHED. RELEASED FOR PUBLICATION
 © COPYRIGHT By - ALL RIGHTS RESERVED.

LOC		DIST		REVISIONS			
P	LTR	DESCRIPTION		DATE	DWN	APVD	
CM	00	G		REVISED PER ECR-15-001261	02-MAR-15	SC	KD

1. INDIVIDUAL CORING FEATURES AROUND BASES OF SILOS MAY NOT BE PRESENT IN ALL LOCATIONS SHOWN.



770580-1
PART NUMBER



THIS DRAWING IS A CONTROLLED DOCUMENT.		DWN S. HOOVER 12-MAY-2004	TE Connectivity		
DIMENSIONS: mm [INCHES]		CHK C. JONES 12-MAY-2004			
TOLERANCES UNLESS OTHERWISE SPECIFIED:		APVD C. JONES 12-MAY-2004	NAME		
0 PLC ±	0.13 [.005] ANGLES ±	PRODUCT SPEC	PLUG, 10 CIRCUIT, MINI UNIVERSAL MATE-N-LOK™		
1 PLC ±		APPLICATION SPEC	SIZE	RESTRICTED TO	
2 PLC ±		MATERIAL	A2	CAGE CODE	DRAWING NO
3 PLC ±		FINISH	00779	G-770580	
4 PLC ±		WEIGHT	SCALE 5:1 SHEET 1 OF 1 REV G		
NYLON, UL 94V-0 WHITE		CUSTOMER DRAWING			